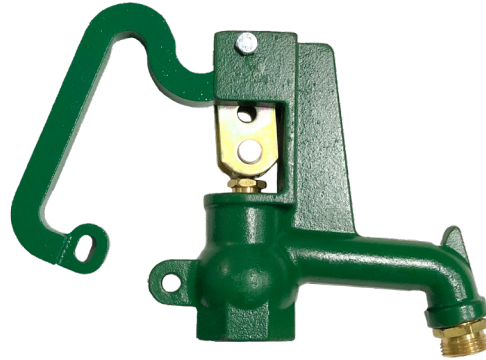




# C-251 Freezeless Ground Hydrant



*close-up view*

- Freezeless
- Variable Flow
- Time Tested

PRIER's C-251 Freezeless Ground Hydrant provides a year round source of water to areas subject to freezing temperatures. The hydrant valve is connected to the supply piping below the frost line, and since it drains automatically, it is not subject to freezing.

The PRIER C-251 is a time tested design with a cam type operation lever control that provides full variable flow. It is available from stock in bury depths from 1' to 6', longer sizes are available upon request.

## FEATURES

- Solid, extra thick walled head casting
- 3/4" and 1" FPT inlet connection options
- Solid brass hose adapter
- Cam type operating lever control provides full variable flow
- High quality steel drawstraps that eliminate side pull of operating rod
- Pivot connector has double nut connection, no set screws to rust in place
- Galvanized outer pipe with exposed threads coated to protect from erosion
- Stainless steel operating rod provides the longest operating life
- Simple repair can be done at ground level
- Bucket hook on spout

## ORDERING

### C-251-3

**Inlet**

- 0 - 3/4" FPT
- 1 - 1" FPT

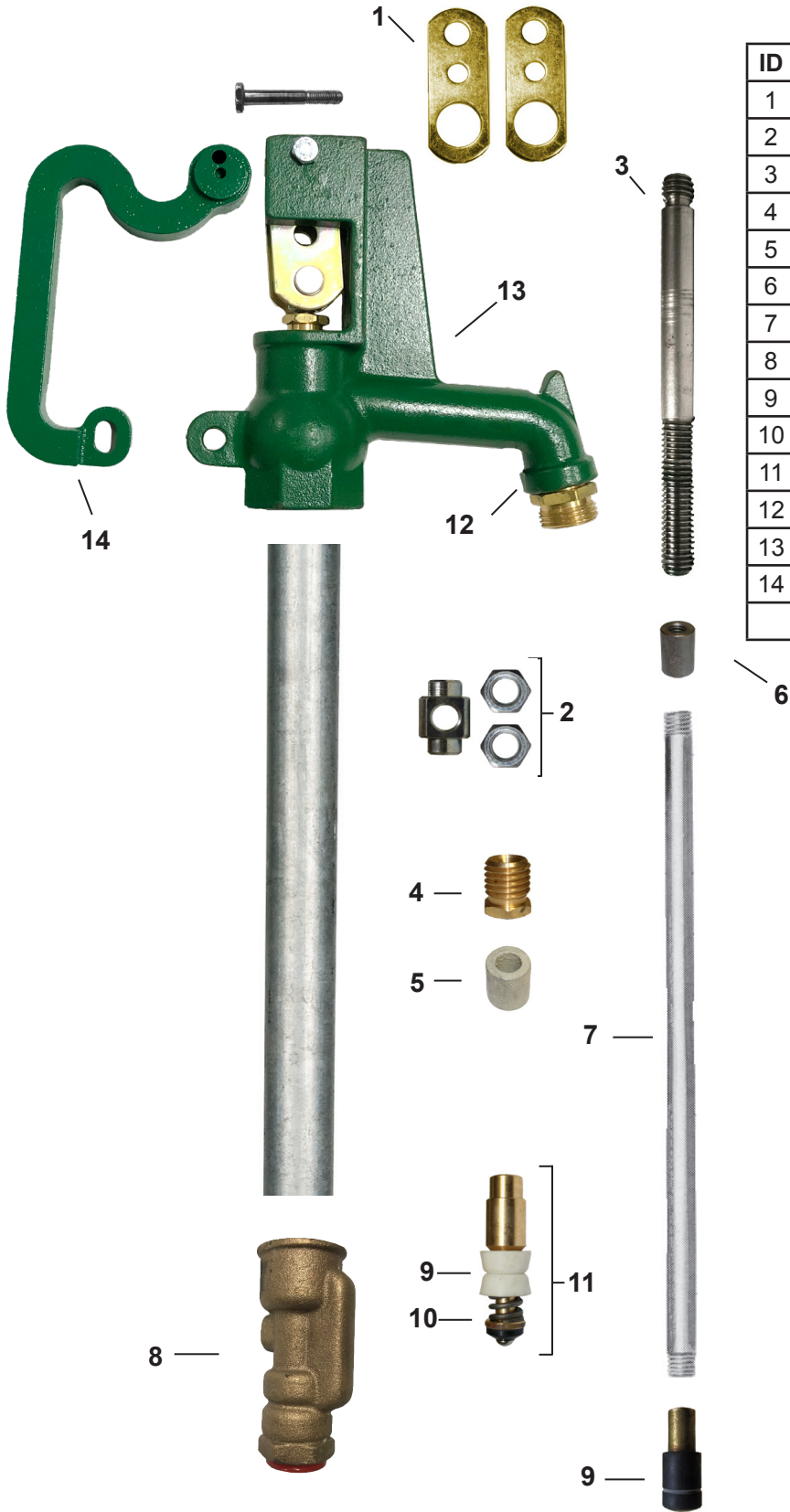
**Bury Depth**

- 1- 1' Bury Depth
- 2- 2' Bury Depth
- 3- 3' Bury Depth
- 4- 4' Bury Depth
- 5- 5' Bury Depth
- 6- 6' Bury Depth

Part No.	OAL	Weight Ea.	Part No.	OAL	Weight Ea.
C-250-1	46"	13 lbs	C-251-1	46"	17 lbs
C-250-2	58"	15 lbs	C-251-2	58"	19 lbs
C-250-3	70"	17 lbs	C-251-3	70"	21 lbs
C-250-4	82"	19 lbs	C-251-4	82"	26 lbs
C-250-5	94"	21 lbs	C-251-5	94"	30 lbs
C-250-6	106"	23 lbs	C-251-6	106"	34 lbs



## C-251 REPLACEMENT PARTS



ID	Part No.	Description
1	324-1004	Draw Straps, Quantity 2 Required
2	232-0001	Pivot Connector and Nuts
3	314-0002	Rod (Stainless Steel)
4	310-0010	Packing Nut
5	346-0001	Valve Stem Packing
6	310-0014	Rod Connector
7	314-0003	7/16" Extension Rod
8	310-0011	Valve Body for C-250
9	340-0002	Cup Leathers, Quantity 2 Required
10	936-0001	3/8" L Beveled Bibb Washer
11	C-250-021	Plunger for C-250
12	310-0027	Hose Thread Adapter for C-240, C-250
13	301-0004	Head for C-250 (Cast Iron)
14	301-0001	Handle for C-250 (Cast Iron)
	C-250-801	Overhaul Kit, Contains 1, 2, 4, 5, 11